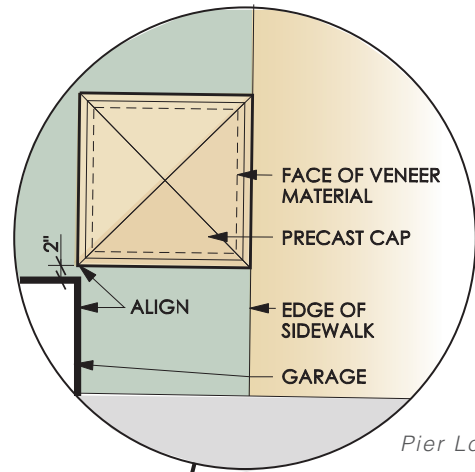


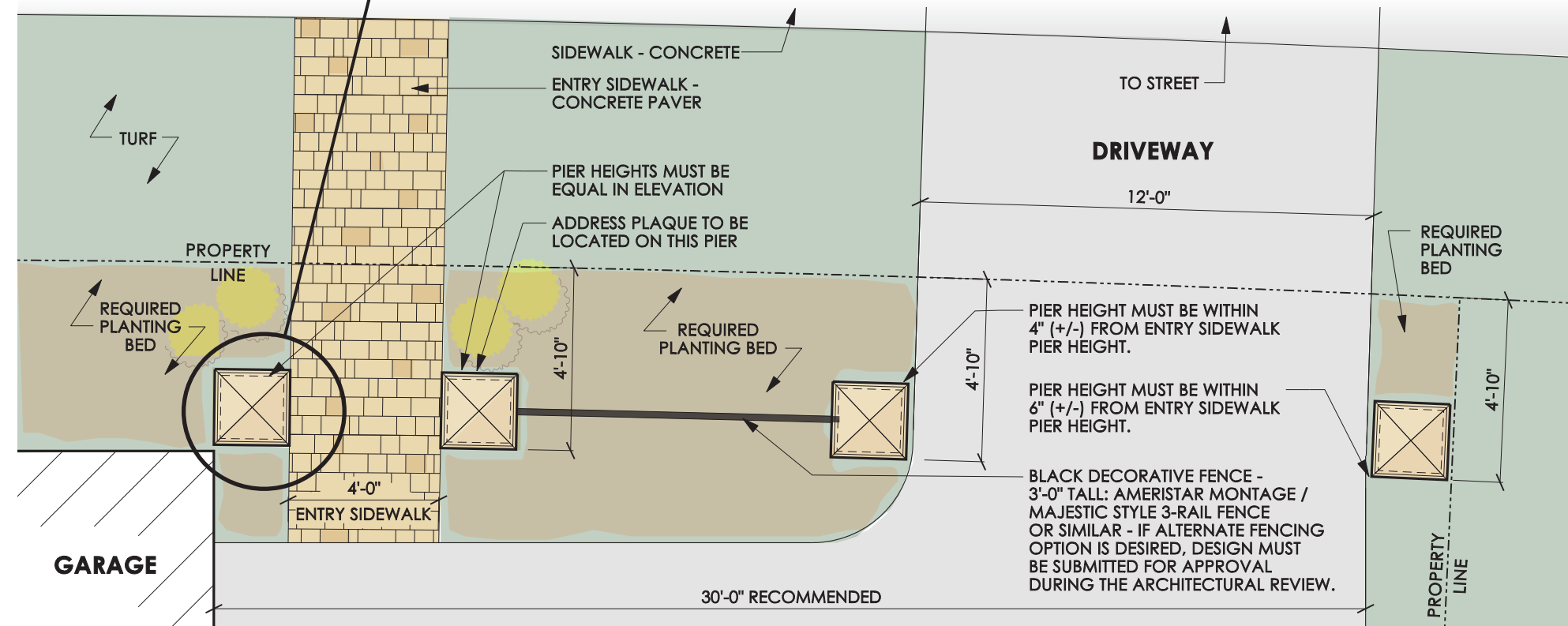


Courtyard Homes: Pier Design Exhibit

SITE PLAN



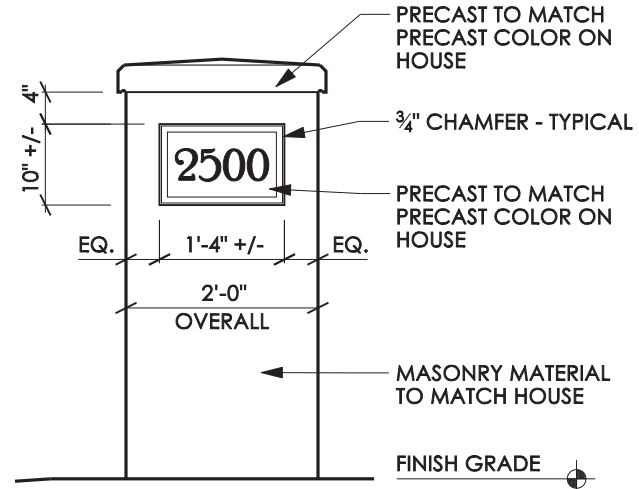
Pier Location



ADDRESS PLAQUE

Thunderstone PL-0700 Font
Style 'Poor Richard'.
Number height shall be 4".

Numbers shall be centered both vertically and horizontally in address plaque. After mold is complete, contractor shall submit drawing to Design Review Committee for confirmation to proceed.



PIER SECTION

